



REDLINE® C 200/1

Single stage cylinder pressure regulator

Description C 200/1 is a single stage diaphragm pressure regulator, especially suitable for non-corrosive gases up to 6.0 purity (99.9999%) as well as gas mixtures with a low concentration of corrosive components.

A single stage regulator is preferred where the primary pressure is fairly constant (e.g. for gases in liquid phase). C 200/1 can be plain or equipped with a shut-off valve (type A), a metering valve (type B) or equipped for purging of the high-pressure side (type P). It can also be equipped with inert gas purge valve (TP) or with triple purge block (EP).

Product name	Material	bar	psi	Art. Nr
C 200/1	Chrome-plated brass	0.2 - 3	3 - 44	4451
C 200/1	Chrome-plated brass	0.5 - 6	7 - 87	5465
C 200/1	Chrome-plated brass	0.5 - 10	8 - 145	7101
C 200/1	Chrome-plated brass	1 - 14	15 - 203	5466
C 200/1	Chrome-plated brass	2.5 - 28	36 - 406	7800
C 200/1	Chrome-plated brass	2.5 - 35	35 - 507	7103
C 200/1	Chrome-plated brass	2.5 - 50	36 - 725	4453
C 200/1	Chrome-plated brass	10 - 200	145 - 2900	4454
C 200/1	Stainless steel	0.2 - 3	3 - 44	4455
C 200/1	Stainless steel	0.5 - 6	7 - 87	5473
C 200/1	Stainless steel	1 - 14	15 - 203	5474
C 200/1	Stainless steel	2.5 - 28	36 - 406	7804
C 200/1	Stainless steel	2.5 - 50	36 - 725	4457
C 200/1	Stainless steel	10 - 200	145 - 2900	4458
C 200/1 TP	Chrome-plated brass	0.2 - 3	3 - 44	6300
C 200/1 TP	Chrome-plated brass	0.5 - 6	7 - 87	6301
C 200/1 TP	Chrome-plated brass	1 - 14	15 - 203	6302
C 200/1 TP	Stainless steel	0.2 - 3	3 - 44	6303
C 200/1 TP	Stainless steel	0.5 - 6	7 - 87	6304
C 200/1 TP	Stainless steel	1 - 14	15 - 203	6305
C 200/1 EP	Stainless steel	0.2 - 3	3 - 44	6063
C 200/1 EP	Stainless steel	0.5 - 6	7 - 87	6057
C 200/1 EP	Stainless steel	1 - 10	15 - 145	6054
C 200/1 EP	Stainless steel	1 - 14	15 - 203	6051
C 200/1 A	Chrome-plated brass	0.2 - 3	3 - 44	3100
C 200/1 A	Chrome-plated brass	0.5 - 6	7 - 87	5467
C 200/1 A	Chrome-plated brass	0.5 - 10	8 - 145	7106
C 200/1 A	Chrome-plated brass	1 - 14	15 - 203	5468
C 200/1 A	Chrome-plated brass	2.5 - 16	35 - 232	7107
C 200/1 A	Chrome-plated brass	2.5 - 28	36 - 406	7801
C 200/1 A	Chrome-plated brass	2.5 - 35	35 - 507	7108
C 200/1 A	Chrome-plated brass	2.5 - 50	36 - 725	3102
C 200/1 A	Chrome-plated brass	10 - 200	145 - 2900	3103
C 200/1 A	Stainless steel	0.2 - 3	3 - 44	3112
C 200/1 A	Stainless steel	0.5 - 6	7 - 87	5475
C 200/1 A	Stainless steel	0.5 - 10	8 - 145	7131
C 200/1 A	Stainless steel	1 - 14	15 - 203	5476
C 200/1 A	Stainless steel	2.5 - 16	35 - 232	7132
C 200/1 A	Stainless steel	2.5 - 28	36 - 406	7805
C 200/1 A	Stainless steel	2.5 - 50	36 - 725	3114
C 200/1 A	Stainless steel	10 - 200	145 - 2900	3115



Product name	Material	bar	psi	Art. Nr
C 200/1 A TP	Chrome-plated brass	0.2 - 3	3 - 44	6306
C 200/1 A TP	Chrome-plated brass	0.5 - 6	7 - 87	6307
C 200/1 A TP	Chrome-plated brass	1 - 14	15 - 203	6308
C 200/1 A TP	Stainless steel	0.2 - 3	3 - 44	6309
C 200/1 A TP	Stainless steel	0.5 - 6	7 - 87	6310
C 200/1 A TP	Stainless steel	1 - 14	15 - 203	6311
C 200/1 A EP	Stainless steel	0.2 - 3	3 - 44	6064
C 200/1 A EP	Stainless steel	0.5 - 6	7 - 87	6058
C 200/1 A EP	Stainless steel	1 - 10	15 - 145	6055
C 200/1 A EP	Stainless steel	1 - 14	15 - 203	6052
C 200/1 B	Chrome-plated brass	0.2 - 3	3 - 44	3104
C 200/1 B	Chrome-plated brass	0.5 - 6	7 - 87	5469
C 200/1 B	Chrome-plated brass	0,5 - 10	8 - 145	7111
C 200/1 B	Chrome-plated brass	1 - 14	15 - 203	5470
C 200/1 B	Chrome-plated brass	2.5 - 16	35 - 232	7112
C 200/1 B	Chrome-plated brass	2.5 - 28	36 - 406	7802
C 200/1 B	Chrome-plated brass	2,5 - 35	35 - 507	7113
C 200/1 B	Stainless steel	0.2 - 3	3 - 44	3116
C 200/1 B	Stainless steel	0.5 - 6	7 - 87	5477
C 200/1 B	Stainless steel	0,5 - 10	15 - 145	7136
C 200/1 B	Stainless steel	1 - 14	15 - 203	5478
C 200/1 B	Stainless steel	2.5 - 16	35 - 232	7137
C 200/1 B	Stainless steel	2.5 - 28	36 - 406	7806
C 200/1 B TP	Chrome-plated brass	0.2 - 3	3 - 44	6312
C 200/1 B TP	Chrome-plated brass	0.5 - 6	7 - 87	6313
C 200/1 B TP	Chrome-plated brass	1 - 14	15 - 203	6314
C 200/1 B TP	Stainless steel	0.2 - 3	3 - 44	6315
C 200/1 B TP	Stainless steel	0.5 - 6	7 - 87	6316
C 200/1 B TP	Stainless steel	1 - 14	15 - 203	6317
C 200/1 B EP	Stainless steel	0.2 - 3	3 - 44	6065
C 200/1 B EP	Stainless steel	0.5 - 6	7 - 87	6059
C 200/1 B EP	Stainless steel	1 - 10	15 - 145	6056
C 200/1 B EP	Stainless steel	1 - 14	15 - 203	6053
C 200/1 P	Chrome-plated brass	0.2 - 3	3 - 44	3108
C 200/1 P	Chrome-plated brass	0.5 - 6	7 - 87	5471
C 200/1 P	Chrome-plated brass	1 - 14	15 - 203	5472
C 200/1 P	Chrome-plated brass	2.5 - 16	35 - 232	7117
C 200/1 P	Chrome-plated brass	2.5 - 28	36 - 406	7803
C 200/1 P	Chrome-plated brass	2.5 - 50	36 - 725	3110
C 200/1 P	Chrome-plated brass	10 - 200	145 - 2900	3111
C 200/1 P	Stainless steel	0.2 - 3	3 - 44	3120
C 200/1 P	Stainless steel	0.5 - 6	7 - 87	5479
C 200/1 P	Stainless steel	1 - 14	15 - 203	5480
C 200/1 P	Stainless steel	2.5 - 28	36 - 406	7807
C 200/1 P	Stainless steel	2.5 - 50	36 - 725	3122
C 200/1 P	Stainless steel	10 - 200	145 - 2900	3123

Delivery and ordering information

Cylinder pressure regulator with cylinder connection (hexagonal) according to DIN 477 on the high-pressure side and compression fitting 6 mm on the service gas outlet. In addition to the article number, please specify the type of gas. Other configurations on request.

Application

Suitable for all applications in analysis, as well as research and development, where high demands in gas purity, accuracy, reliability are required. The pressure regulator must not be used as a shut-off device. The version with a shut-off valve allows the gas flow to be shut off / opened while maintaining the pressure reducer setting. The design with a needle valve allows additional metering of the gas flow. The design with a flushing device allows the high-pressure side to be flushed with its own gas.

Technical Data

	bar	psi
Maximum primary pressure	230	3300
Outlet pressure range	0.2 – 3 0.5 – 6 0.5 – 10 1 – 14 2.5 – 16 2.5 – 28 2.5 – 35 2.5 – 50 10 – 200	3 – 44 7 – 87 8 – 145 15 – 203 35 – 232 36 – 406 35 – 507 36 – 725 145 – 2900
Outlet gauge range	-1 – 5 -1 – 10 -1 – 15 -1 – 25 0 – 40 0 – 80 0 – 315	-15 – 73 -15 – 145 -15 – 217 -15 – 363 0 – 580 0 – 1160 0 – 4569
Gas purity	≤ 6.0 (99.9999%)	
Leak rate	≤ 10 ⁻⁹ mbar l/s He to the outside ≤ 5x10 ⁻⁶ mbar l/s He in the seat	
Connections	6 x NPT 1/4" f	
- Pressure reducer body	6 x NPT 1/4" f	
- cylinder pressure regulator	6 x NPT 1/4" f	
- Service gas outlet	Compression fitting 6 mm	
- High pressure inlet bottle	Connection according to DIN 477	
- Relief valve outlet	NPT 1/4" f	
Stability	0.9 bar increase in outlet pressure when the inlet pressure drops from 200 bar to 0 bar	
Flow coefficient	Cv = 0.09	
Materials		
- Casing	Cr-plated brass	SS 316L
- Membrane	Hastelloy®	
- Seat seal	PCTFE	
- Seal relief valve	FKM / EPDM	(according to gas type)
Operating temperature	-20°C ... +60°C	-4°F ... +140°F
Particle filter	Inlet 10 µm	Outlet 100 µm
Valves	Diaphragm shut-off valve V 200 (Type A, P) Diaphragm control valve V50 (Type B)	
Cylinder connection	DIN 477 (other connections on request)	
Weight	2.5 kg max.	5.5 lb max.

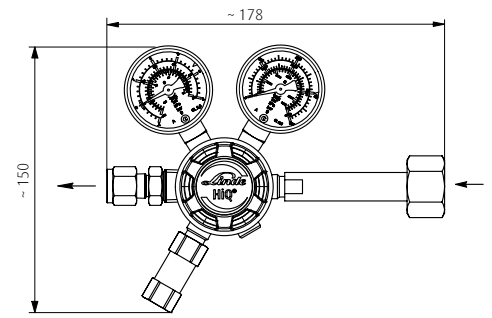
Other accessories

Gas type-specific manual connection, brass or stainless-steel compression fittings from 3 to 12 mm or 1/8" to 1/2" for service gas and relief valve outlet, contact pressure gauge.

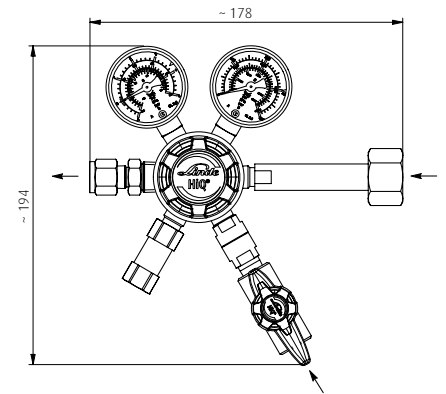
Quality Assurance

The cylinder pressure regulator C 200/1 is manufactured in accordance with the following international standards: ISO 9001, ISO 2503, EN ISO 5171, EN ISO 7291 (including oxygen burnout test for brass-chrome-plated fittings). Every step, from design to final test, is subject to one Quality Management System.

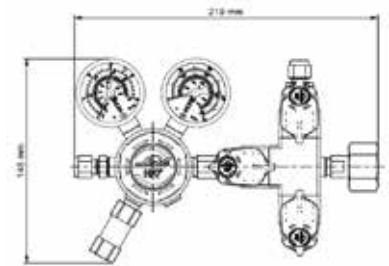
C 200/1



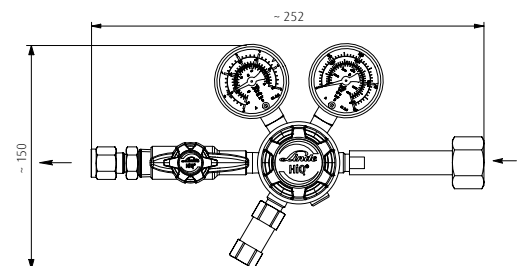
C200/1 TP



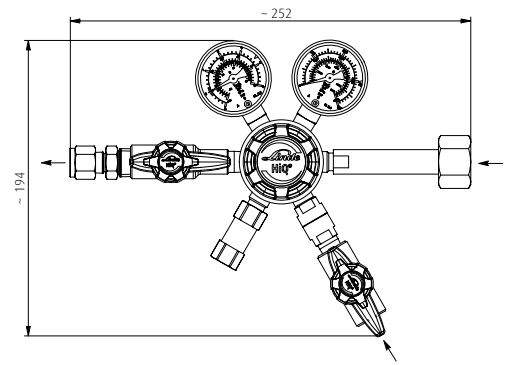
C 200/1 EP



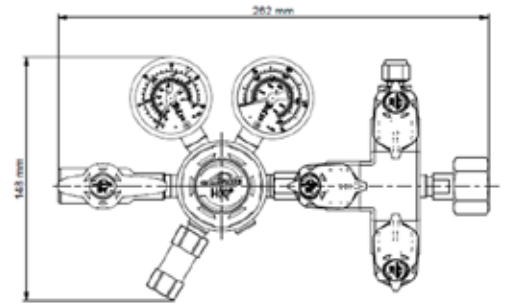
C 200/1 A



C 200/1 A TP



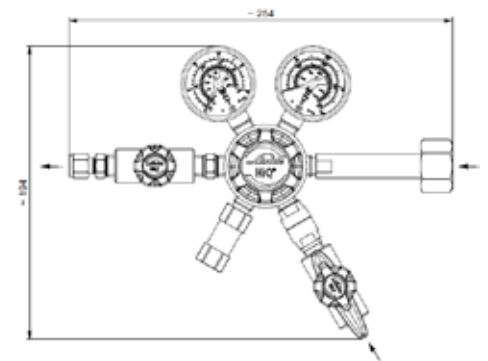
C200/1 A EP



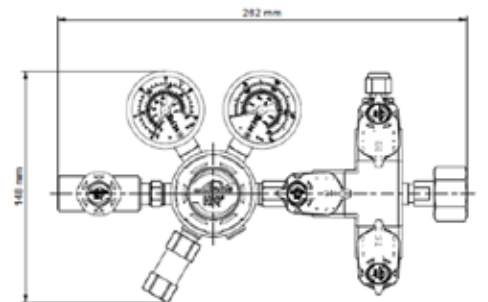
C 200/1 B



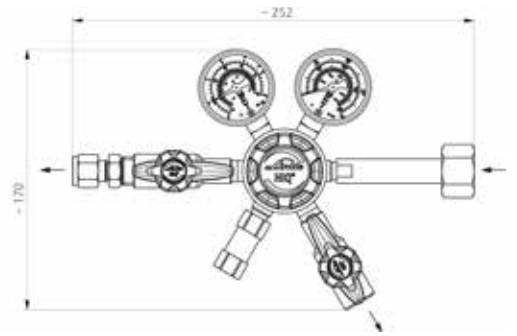
C 200/1 B TP



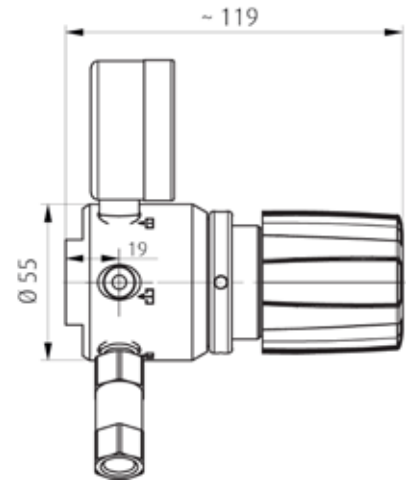
C 200/1 B EP



C 200/1 P

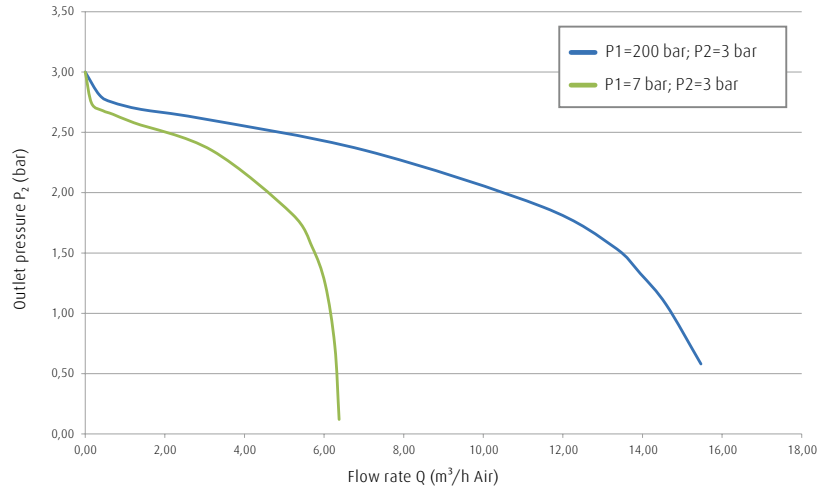


C200/1 Side view

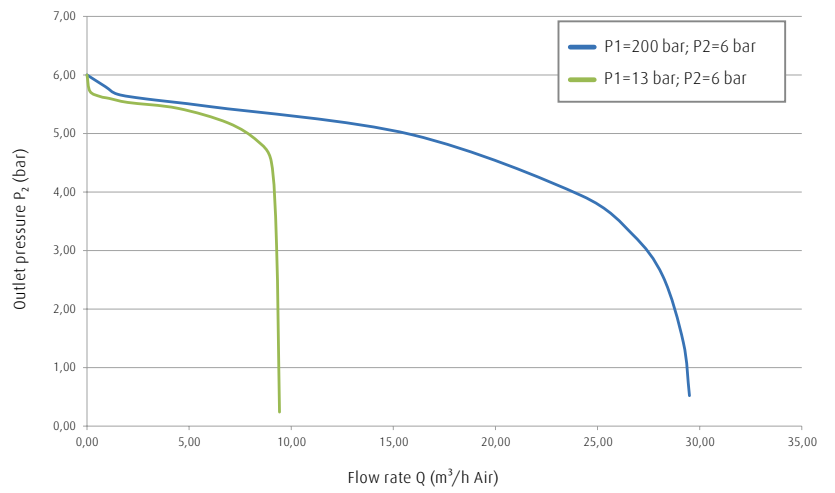


All dimensions in millimeters

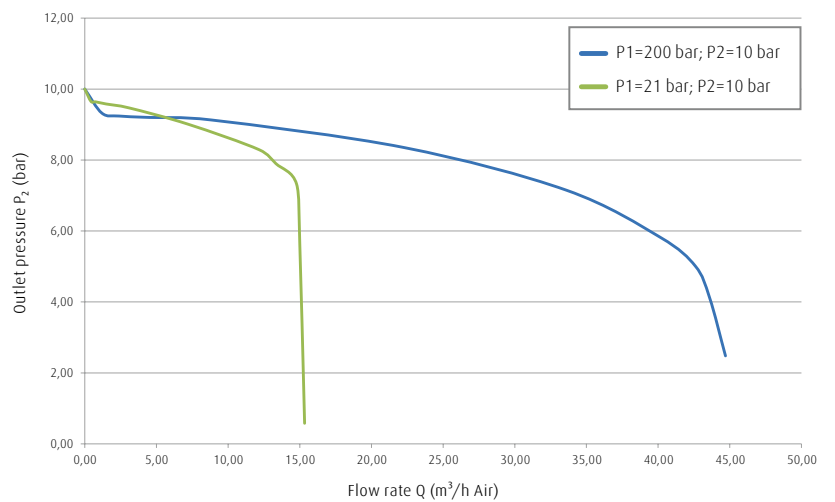
C 200/1 – 3 bar



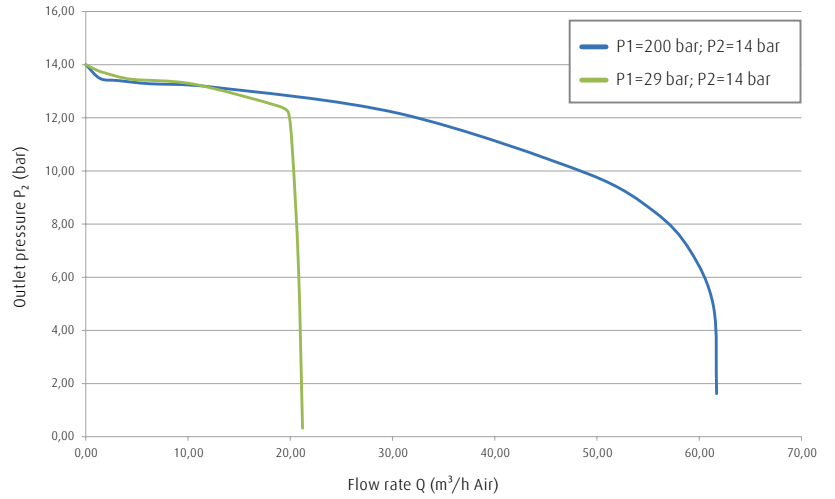
C 200/1 – 6 bar



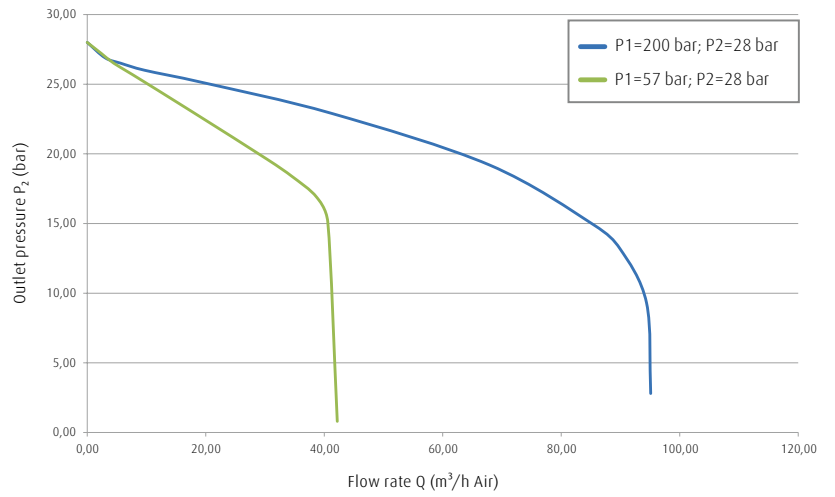
C 200/1 – 10 bar



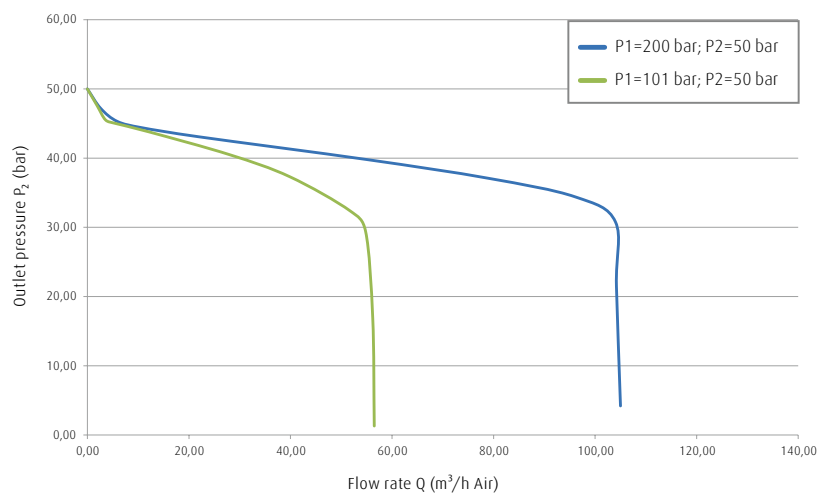
C 200/1 – 14 bar



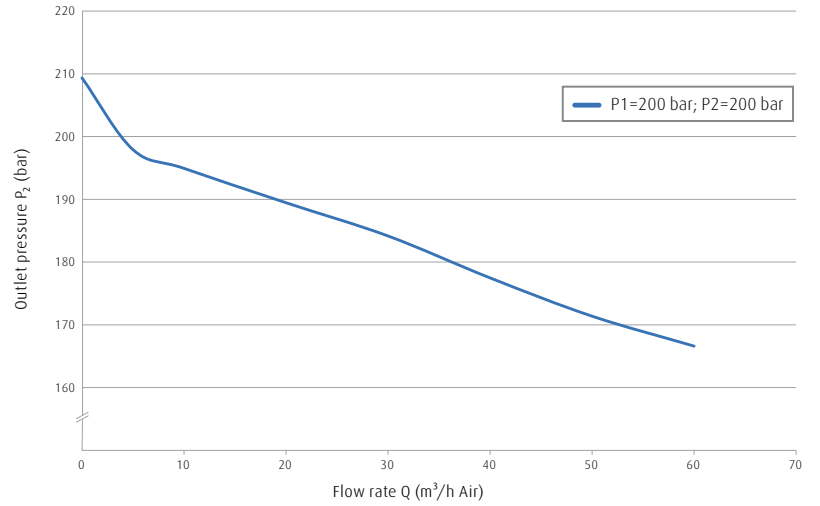
C 200/1 – 28 bar



C 200/1 – 50 bar



C 200/1 – 200 bar



Linde GmbH
Dr.-Carl-von-Linde-Strasse 6-14, 82049 Pullach, Germany
Phone +49 89 7446-0, Fax +49 89 7446-1230, <http://hiq.linde-gas.com>